

Installation Manual

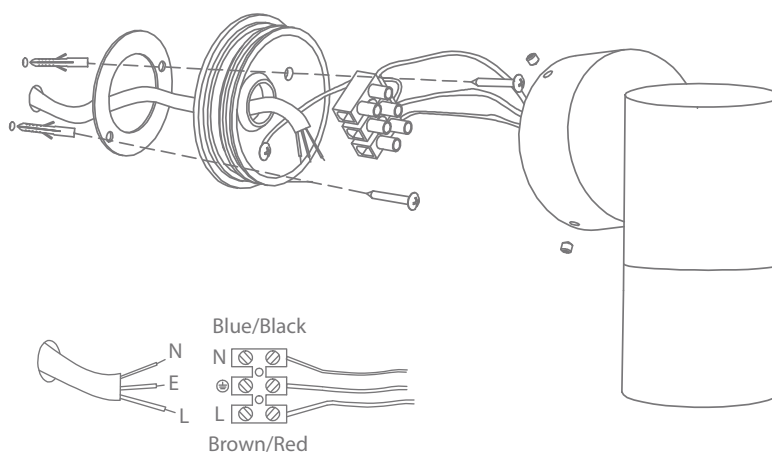
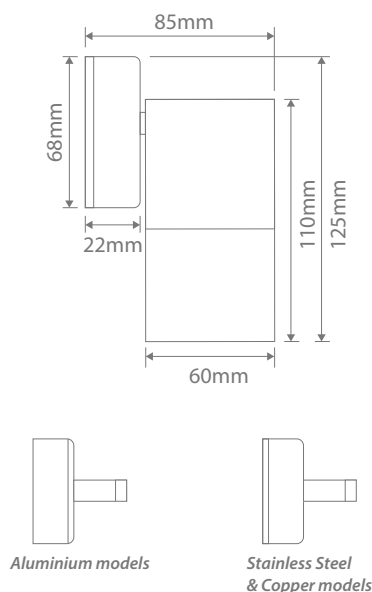
SHADOW-1LT-WB

Variant	Item No.	Description
49011	SHADOW-1LT-WB	1LT light, down wall light. Black finish
49138		1LT light, down wall light. Black finish, GU10 3000K
49140		1LT light, down wall light. Black finish, GU10 5000K
49012		1LT light, down wall light. White finish
49156		1LT light, down wall light. White finish, GU10 3000K
49158		1LT light, down wall light. White finish, GU10 5000K
49013		1LT light, down wall light. Titanium Silver finish
49150		1LT light, down wall light. Titanium Silver finish, GU10 3000K
49152		1LT light, down wall light. Titanium Silver finish, GU10 5000K
49014		1LT light, down wall light. Copper finish
49142		1LT light, down wall light. Copper finish, GU10 3000K
49144		1LT light, down wall light. Copper finish, GU10 5000K
49015		1LT light, down wall light. 316 Stainless Steel finish
49146		1LT light, down wall light. 316 Stainless Steel finish, GU10 3000K
49148		1LT light, down wall light. 316 Stainless Steel finish, GU10 5000K

Thank you for purchasing your new SHADOW-1LT Down Wall Light, Please take the time to read and understand the instruction sheet below. Failure to do so may void warranty.

Specifications

Voltage:	240V	Power:	35W Max	
Lamp:	GU10 (Not Included)	IP Rating:	65	



Note: -The lamp must be installed by professional electrician
-Ensure the power supply is switched off before fitting this product

-Do not touch the lamp when in use
-Keep away from hot steam and corrosive gas